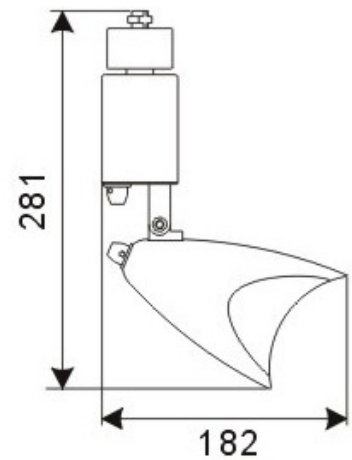
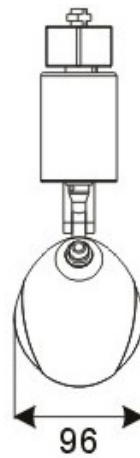


# LED Track Lighting – LR-T00110



Model No.	LR-T00110
LED Type	BridgeLux
LED Q'TY.	1
Beam Angle	20°
Minimum luminous flux(lm)	830
Voltage	120-240V
LED Watt	10.4W
Environmental Temperature	- 20°C-60°C
Environmental Humidity	0%-95%
Safety Class	I
Safety Type	IP20
Material	Aluminium
Driver	Included

For more information  
[www.ledrays.com](http://www.ledrays.com)